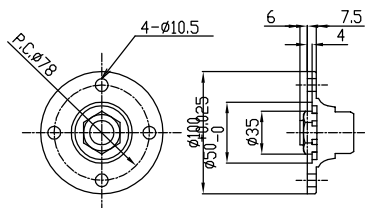
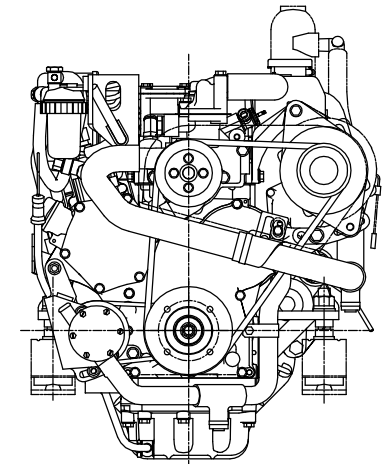
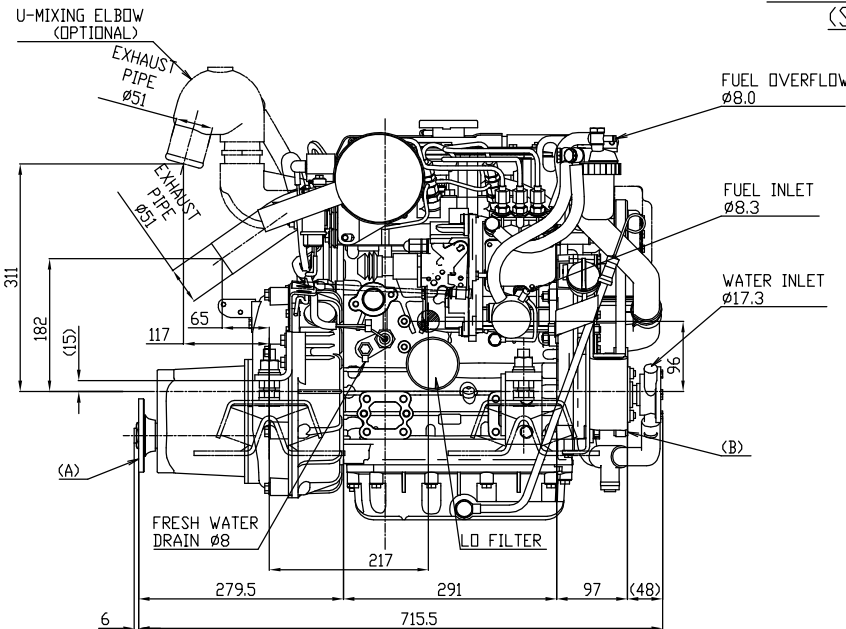
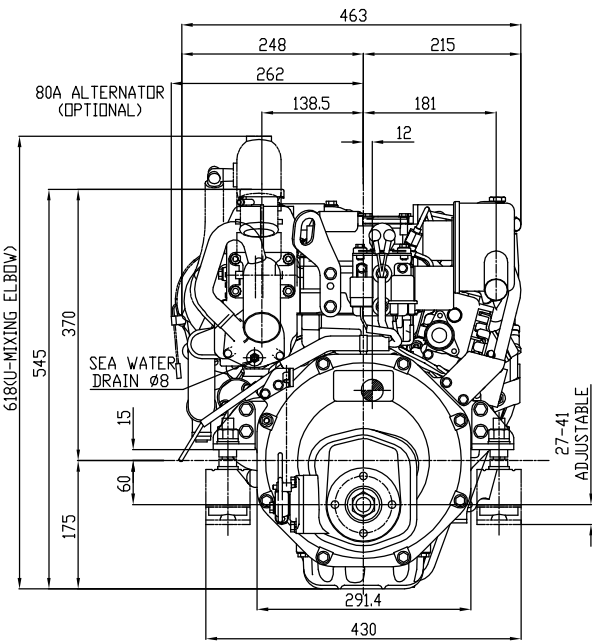


DETAIL OF PULLEY(B)  
(SCALE 1:3)



DETAIL OF COUPLING(A)  
(SCALE 1:3)

NOTE  
 1.DWG. SHOWS MOUNTING BLOCKS AT ORIGINAL HEIGHT.  
 2.ENGINE WEIGHT WILL COMPRESS BLOCKS BY 4.5mm(APPROX.).  
 3.MOUNTING BLOCKS ARE EQUIPPED FOR STANDARD ACCESSARY.  
 4. ⊕ SHOWS CENTER OF GRAVITY.  
 5.ALL DIMENSIONS ARE IN MILLIMETERS

Scale 1/5 (1/3)	YANMAR MARINE INTERNATIONAL 24 April 2005	YM-3YM30 WITH KM2P-1
GROUP, USER=EM2, MT01		